

Do not fill with Concrete.  
Use End Cap.  
4" Galvanized Malleable  
Welded or Screwed.

2" Reflective Tape (3  
Bands) Required.

1" x 5" Diameter Stop  
Collar (Welded)

1" Diameter Hole for  
Eye Bolt.

All Fixed and  
Removable Posts for  
same installation to  
have uniform height  
surrounding pad.

Profile View

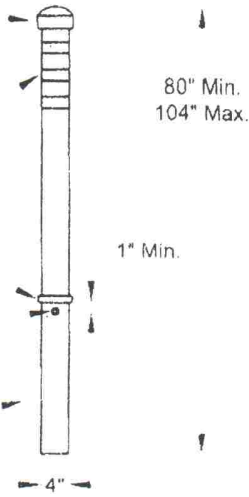


Figure 3  
Typical Removable  
Barrier Post  
Dimensions

Profile View

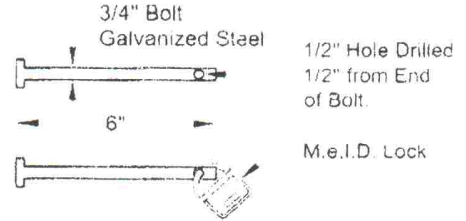
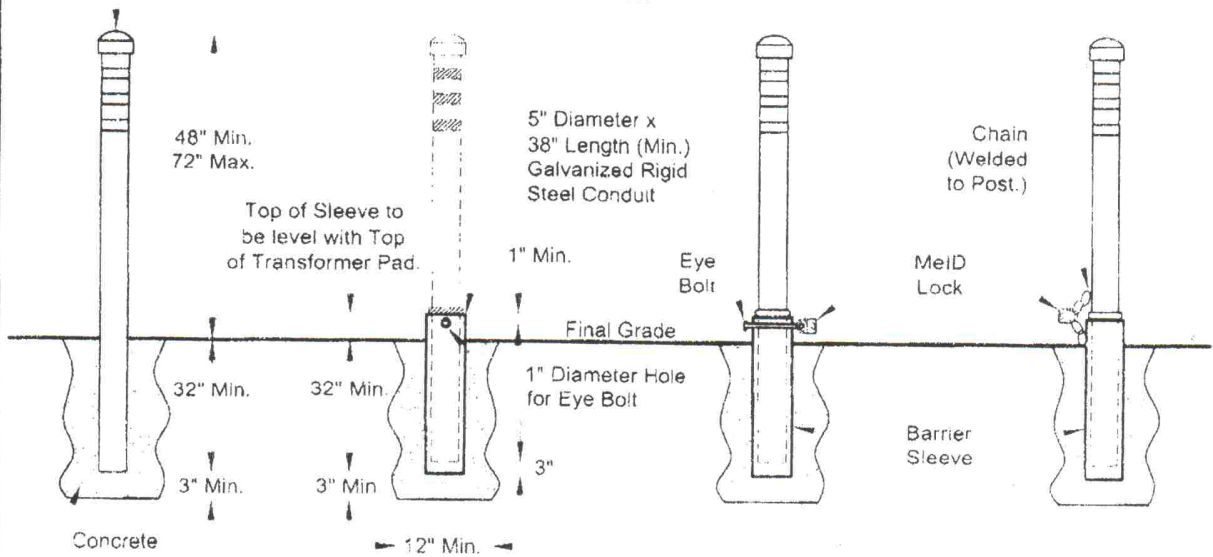


Figure 4  
Typical Eye-bolt for  
Removable Barrier  
Post and Sleeve

Profile View



Typical Permanent  
Barrier Post Installed  
in Concrete

Typical Removable  
Barrier Post with  
Steel Sleeve

Figure 5

Preferred Method  
Removable Barrier Post  
with Steel Sleeve  
(Secured by Eye-bolt)

Alternative Method  
Removable Barrier Post  
with Steel Sleeve  
(Secured by Chain)