

Location, Clearances, and Mechanical Protection Details for Pad-Mounted and Subsurface Equipment

Placement of Posts and Details

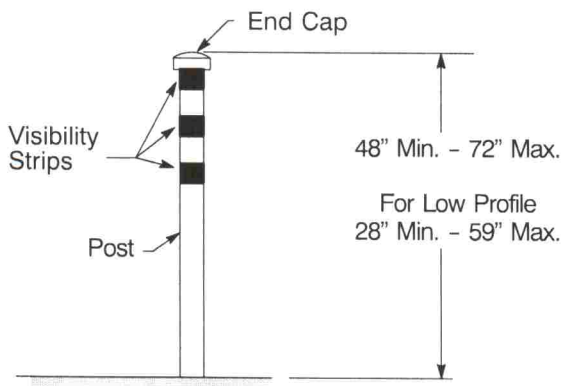
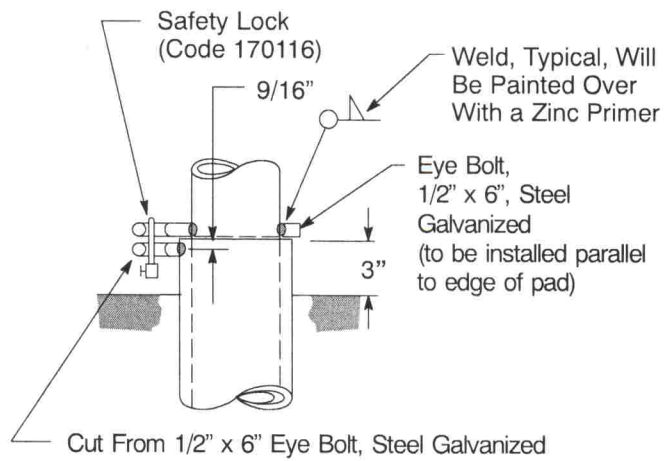


Figure 24  
Steel Barrier Post  
(see Table 5)



Detail A  
(see Figure 26)

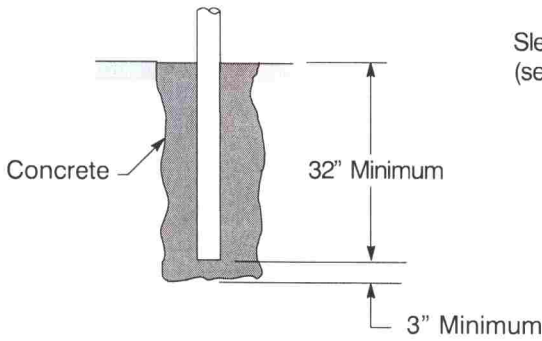


Figure 25  
Footing for Fixed Steel Post Detail  
(see Table 5)

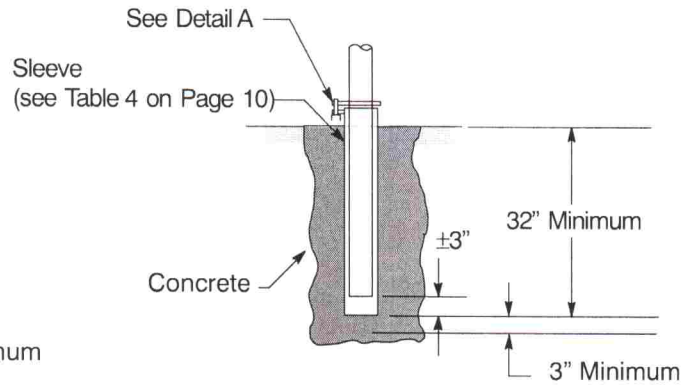


Figure 26  
Footing for Removable Steel Post Detail  
(see Table 5)

Table 5 Description and Codes for Steel Barrier Posts <sup>1</sup>

Description	Length (inches)	Code	Doc
Galvanized Fixed Post, 4", Steel Pipe, Standard, Schedule 40	80	155107	-
	67 <sup>2</sup>	155108	-
Removable Post, 4", Galvanized Steel Pipe, Standard, Schedule 40 With 5" Galvanized Steel Pipe Sleeve, 36" Long, Standard, Schedule 40	80	155105	-
	67 <sup>2</sup>	155106	-
End Cap, 4", Galvanized Malleable Iron, May Be Screwed	-	021882	-
Strip, Visibility Reflective Yellow Adhesive Sheet, 2" X 12", Pacific Utilities #PEM212F, Almetek #DL-RY2X12-A	-	013163	022168
Safety Lock	-	170116	-

<sup>1</sup> Posts fabricated from 20-foot lengths of galvanized steel pipe, Code 011794.

<sup>2</sup> 67" post length is for single-phase transformer.